

Roof-mounted Fan *“Pagoda top”*

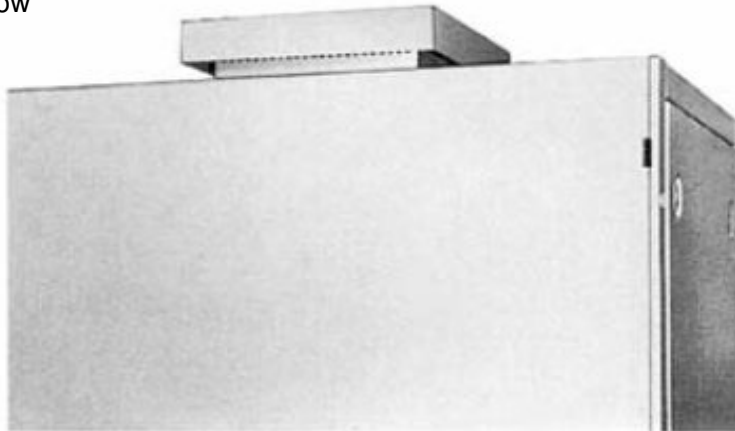
- **Superior Quality**
- **Powerful Performance**
- **Excellent Value**
- **In Stock**

Maintenance-free

- Designed for continuous operation of powerful heat removal
- Use of radial fan guarantees extremely high air flow

Easy installation

- Roof-mounted fan comes complete with mounting hardware

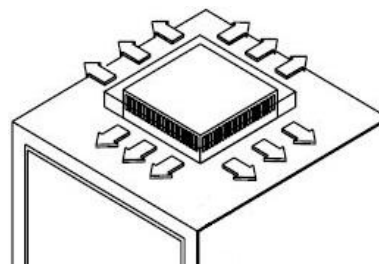


Technical data

- 115V, 1 ph, 50/60 Hz
- Temperature range: -22 to +131 °F
- Powder-coated RAL 7035, textured finish

Performance

- Air exhausts to all 4 sides
- Available in 300 and 600 cfm

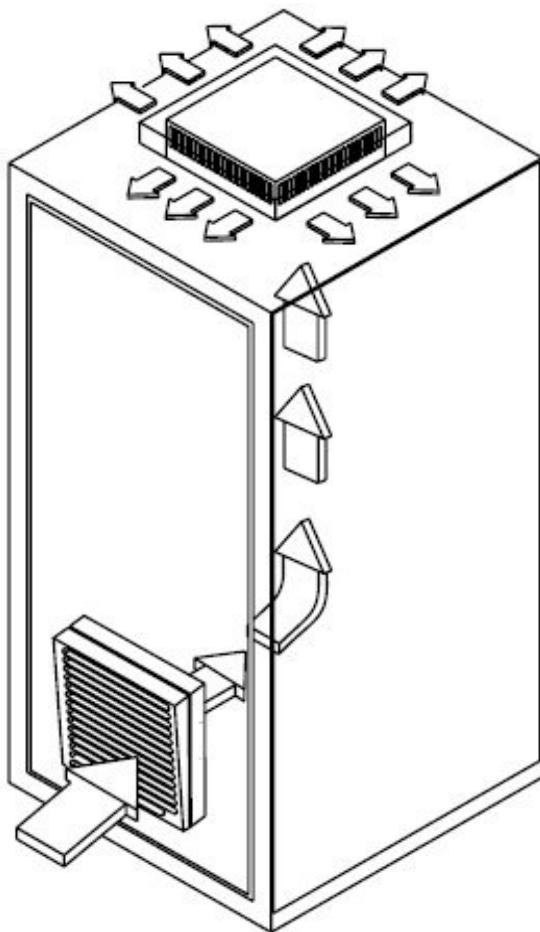


häwa 3148 roof-mounted fan “Pagoda top” Sheet steel powder-coated RAL 7035

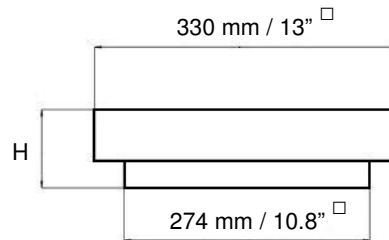
		Voltage	Power	Flow	Part Number
300 cfm	Roof-mounted Fans	115V _{AC}	70 W	300 cfm	3148-0300-01-17
		230V _{AC}			3148-0300-02-27
	Inlet filter*			3159-9292-00-73	
	Repl. Pads (box of 10)			3140-9350-10-03	
600 cfm	Roof-mounted Fan	115V _{AC}	80 W	600 cfm	3148-0600-01-17
	Inlet filter* (recomm. Qty: 2)				3159-9292-00-73
	Repl. Pads (box of 10)				3140-9350-10-03

* The recommended inlet filter is the 12 x 12 louver with filter out of our Fix-Filter series.
For the 600 cfm roof-mounted fan it is recommended to use two of these inlet filters.

Even though the fan is designed for continuous operation, it can also be controlled by a thermostat, if desired. Please refer to häwa tamper-proof or adjustable thermostats with normally open (NO) contact.



Recommended installation



Height H: 77 mm / 3" (300 cfm)
152 mm / 6" (600 cfm)

Cut-out

