

**Upgrade to**

## ***DIN rail cutter***

- ***Superior Quality***
- ***Unique Features***
- ***Excellent Value***
- ***In Stock***

### **Manual DIN rail cutter**

- For cutting sheet steel DIN rails:
  - 15 x 5 x 1 mm
  - 35 x 7.5 x 1 mm

### **Surface finish**

- Painted RAL 3000 and galvanized



Photo shows optional stop

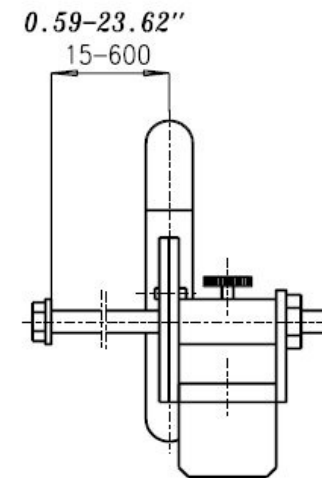
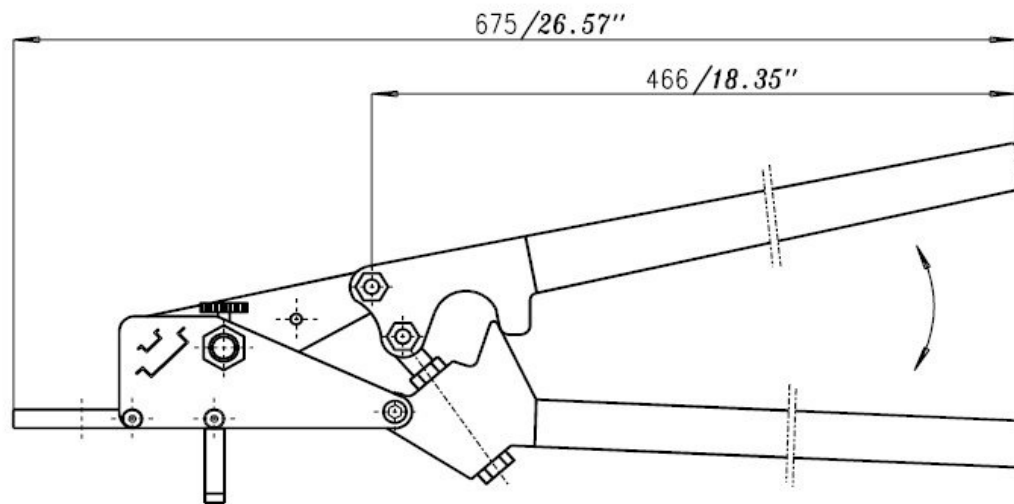
**For a complete list of all häwa DIN rail cutters and related tools, please see the full line häwa tool catalog.**

- **Minimal effort to operate**
- **Burr-free cut**
- **No chips – no scrap**
- **Fixed or mobile operation**

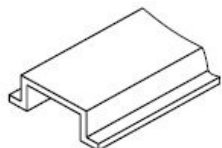
## häwa DIN rail cutter, manual operation

DON'T FIND THE SIZE YOU NEED?  
PLEASE ALSO CHECK OUR TOOLS CATALOG  
OR CALL US AT 1-800-783-4239

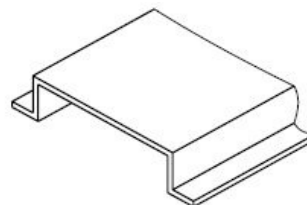
Description	Order No.	Weight
DIN rail cutter	2693-7415-35-00	8.4 lbs
Stop	2693-0715-60-00	0.4 lbs



Cuts these DIN rail profiles:



15 x 5 x 1 mm  
DIN EN 60715



35 x 7.5 x 1 mm  
DIN EN 60715