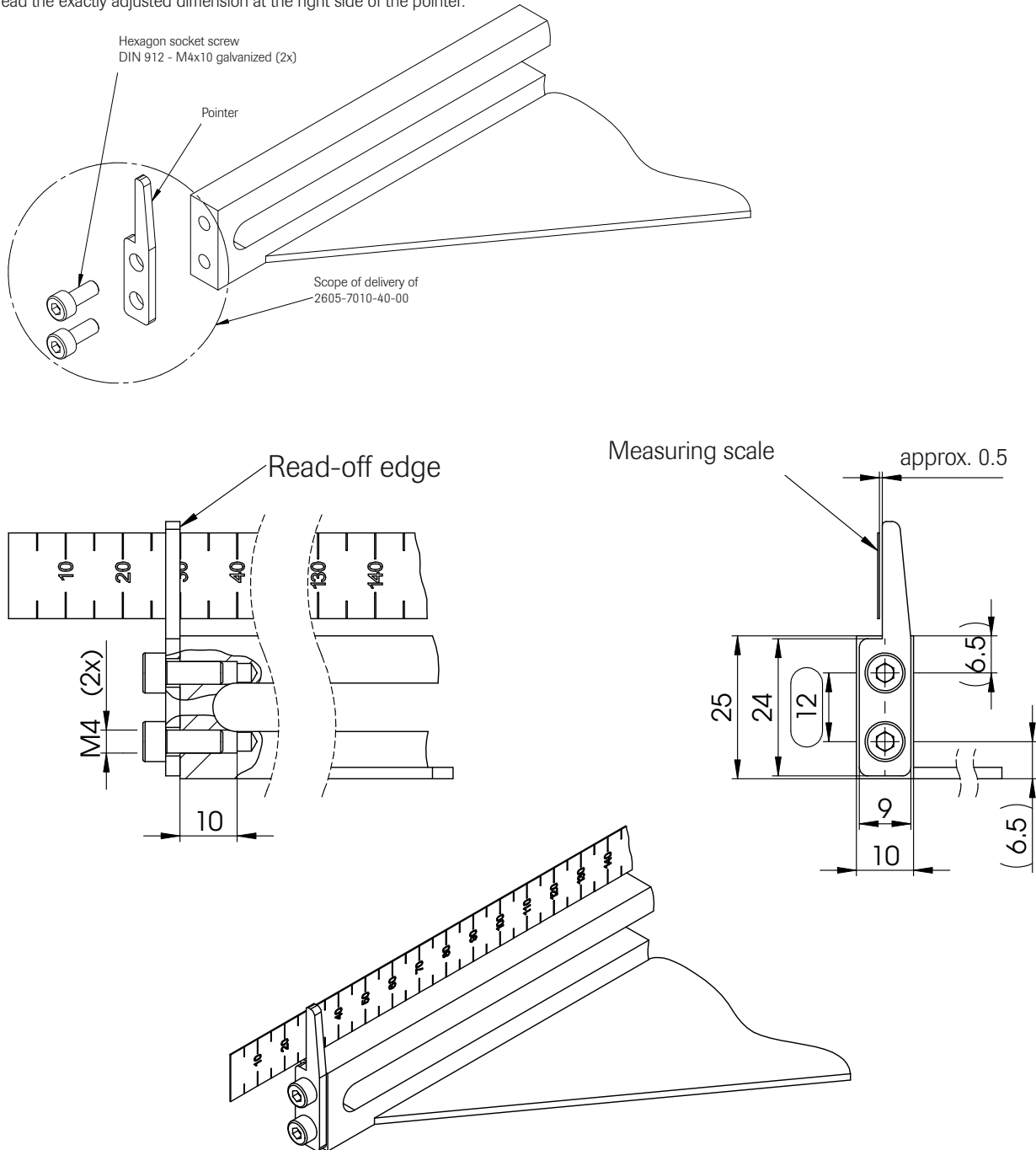


Mount a "pointer" to the depth stop for easy reading of the edge distance when punching.
It simply works as an extension of the "read-off edge" of the stop. Regarding the measuring scale at right angles, you can read the exactly adjusted dimension at the right side of the pointer.



Tap two M4 threads in order to mount the pointer at the depth stop.

Operating Instructions:

1. Check with the mounted depth stop, if the threads can be tapped in the flat material according to the above drawing.
(Note: drilling of the pointer = \varnothing 5 mm; screw = M4)
2. Disassemble the stop and mark as shown in the drawing (if necessary, correct the position slightly - see item 1)
3. Pre-drill the hole with \varnothing 3.3 mm and tap the M4 thread approx. 10 mm deep.
4. Pre-mount the pointer with the two supplied M4x10 screws.
5. Mount the stop and clamp it to the bow punch.
6. Adjust the pointer at a distance of approx. 0.5 mm to the measuring scale and tighten the screws.



häwa GmbH
 Industriestraße 12
 D 88489 Wain
 Tel. +49 7353 98460
 Fax +49 7353 1050
 info@haewa.de
 www.haewa.de

D 08451 Crimmitschau

Sachsenweg 3
 Tel. +49 3762 95271/2
 Fax +49 3762 95278
 vertrieb.c@haewa.de

D 47167 Duisburg

Gewerbegebiet Neumühl
 Theodor-Heuss-Str. 128
 Tel. +49 203 346530
 Fax +49 203 589785
 vertrieb.d@haewa.de

D 63477 Maintal
 Dörnigheim

Carl-Zeiss-Straße 7
 Tel. +49 6181 493031
 Fax +49 6181 494003
 vertrieb.rm@haewa.de

A 4020 Linz

Schmachtl GmbH
 Pummererstraße 36
 Tel. +43 732 76460
 Fax: +43 732 785036
 office.linz@schmachtl.at

CH 8967 Widen

häwa (Schweiz) ag
 Gyrenstrasse 5a
 Tel. +41 43 3662222
 Fax +41 43 3662233
 info@haewa.ch

DK 6400 Sonderborg

Eegholm A/S
 Grundtvigs Allé 165 - 169
 Tel. +45 73 121212
 Fax: +4573 121213
 eegholm@eegholm.dk

E 48450 Etxebarri

haweia ibérica, s.l.
 Poligono Leguizamón
 Calle Guipuzcoa, Pab.9
 Tel. +34 944 269521
 Fax: +34 944 261087
 haweia@ctv.es

F 67140 Eichhoffen

häwa France Sarl
 8 B Rue des Industries
 Tel. +33 3 88088880
 Fax: +33 3 88088859
 info@haewa.fr

I 88489 Wain

häwa Italia
 Industriestraße 12
 Tel. +49 7353 9846115
 Fax +49 7353 1050
 info@haewa.it

NL 7500 AC Enschede

häwa Nederland B.V.
 Postbus 136
 Tel. +31 53 4321835
 Fax +31 53 4303414
 info@haewa.nl

SE 88489 Wain

häwa Schweden
 Industriestraße 12
 Tel. +49 7353 98460
 Fax +49 7353 1050
 info@haewa.se

SE 192 79 Sollentua
 (only for tools)

Nelco Contact AB
 Bergkällvägen 29
 Tel. + 46 8 7547040
 Fax +46 8 7548051
 info@nelco.se

USA Duluth, GA 30097

haewa Corporation
 3764 Peachtree Crest Drive
 Tel. +1 770 9213272
 Fax +1 770 9212896
 info@haewa.com

RUS 88489 Wain

häwa Russland
 Industriestraße 12
 Tel. +49 7353 9846 169
 Fax +49 7353 1050
 edgar.getz@haewa.de



CABINET SYSTEMS



X-FRAME



ENCLOSURES



ACCESSORIES



THERMAL COMPONENTS



CABLE DUCTS



CUSTOMIZED SOLUTIONS



TOOLS